



STARTER™ 2200

pH Benchtop Meter



Affordable Benchtop pH Meter for Basic Laboratory Applications

Designed with a clear, user-friendly interface and the ability to store up to 99 items in its internal memory, the Starter™ 2200 pH benchtop meter is a reliable and efficient addition to basic laboratories or science classrooms. An affordable and intuitive pH measurement instrument, the Starter™ 2200 pH benchtop meter also features auto-buffer recognition & auto-endpoint modes that make measurement and calibration simple, straightforward and efficient.

Unique Features:

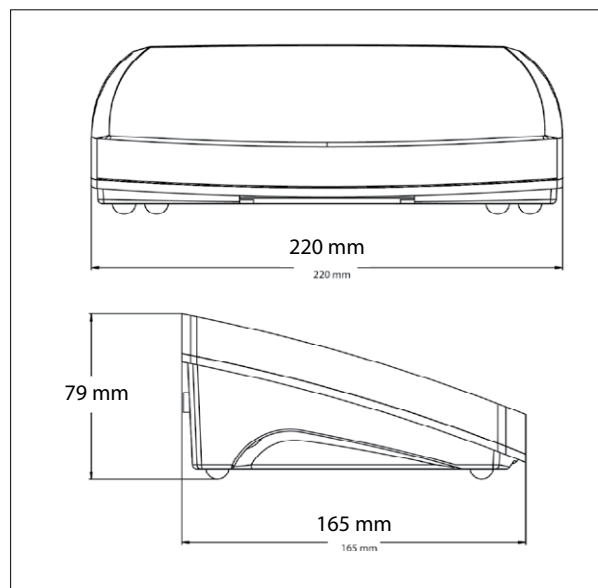
- A user-friendly bench meter which clearly displays critical information and the five distinctly marked keys allows users to operate the instrument with minimal training.
- Auto buffer recognition and auto-endpoint mode make calibration and measurement simple and ideal for routine pH measurement.
- The built-in electrode holder provides straightforward and convenient all-in-one operation, while the attached quick guide clearly explains the operating steps.

STARTER™ 2200 pH Benchtop Meter

Specifications

| Model | | ST2200 |
|----------------------|-----------------------------|---|
| pH | Measuring Range | 0.00 to 14.00 pH |
| | Resolution | 0.01 pH |
| | Selectable Resolution | No |
| | Accuracy | ± 0.01 pH |
| | Pre-Defined Buffer Groups | 1 |
| ORP, Redox | Measuring Range | ± 1999 mV |
| | Resolution | 1 mV |
| | Accuracy | ± 1.5 mV |
| | Units | mV |
| Temperature | Measuring Range | 0.0 to 100.0 °C, 32.0 °F to 212.0 °F |
| | Resolution | 0.1 °C, 0.1 °F |
| | Accuracy | ± 0.5 °C, ±0.5 °F |
| | Calibration | No |
| Calibration | Calibration points | 1 to 3 points |
| | Calibration Sign | Face Sign |
| | Calibration mode | Linear |
| Meter Specifications | Display Type | 3.5" segment LCD with backlight |
| | Measurement End-point Modes | Auto-stop, Continuous |
| | Datalog for measurement | 99 sets |
| | Datalog for calibration | Last calibration |
| | Keypad | Membrane |
| | pH electrode input | BNC |
| | Temperature input | Cinch, NTC 30 kΩ |
| | Installation Overvoltage | Category II |
| | Pollution | Degree 2 |
| | Power Supply | Universal, 90-260 VAC, 50-60 Hz |
| | Regulatory and Safety | CE, WEEE, EN 61326-1, FCC |
| | Ambient Operating | 5 to 40 °C, 5 to 80 %, non-condensing |
| | Warranty | 1 year |

Outline Dimensions



Packages Available in two configurations

| |
|--|
| a-ST2200-B |
| - a-ST2200 Benchtop Meter - Built-In Electrode Holder |
| a-ST2200-F |
| - a-ST2200-B Content - ST320 pH Electrode - pH Buffer Mini Kits (4 x 50mL) |

Other Features and Equipment

- **Application:** pH, oxidation-reduction potential (ORP) with Temperature Measurements
- **Display:** 3.5" segment LCD with backlight
- **Operation:** AC adapter (included)
- **Construction:** ABS housing, mechanical keys, Built-in electrode holder
- **Design Features:** Auto buffer recognition, three point calibration, electrode condition icon

Compliance

- **Electromagnetic Compatibility:** CE, FCC
- **Electromagnetic Safety:** EN 61326-1

Accessories

Stirrer Compact AS20 30661425

| Item # | Solutions |
|----------|---|
| 30100424 | Buffer pH 1.68 250 mL |
| 30100425 | Buffer pH 4.01 250 mL |
| 30100426 | Buffer pH 6.86 250 mL |
| 30100427 | Buffer pH 7.00 250 mL |
| 30100428 | Buffer pH 9.18 250 mL |
| 30100429 | Buffer pH 10.01 250 mL |
| 30100440 | Buffer pH 12.45 250 mL |
| 30059255 | Reference Electrolyte (3M KCl Solution Saturated AgCl, 30 mL) |
| 30059256 | pH Electrode Protection Solution (3M KCl, 125 mL) |

| Item # | Electrodes |
|----------|--------------------|
| 83033972 | ST320 pH Electrode |

© Copyright OHAUS Corporation

OHAUS Asia/Pacific
www.ohaus.com

The management system governing the manufacture of this product is ISO 9001:2015 certified.

SAP Literature 80776670

